



PROTECT

combined with active carbon



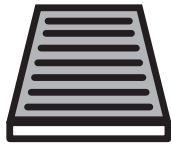
FOR
AUDI

A6 (G5) A/C+ (04/11 >) / A6 ALLROAD (01/12) / A7 A/C+/- (07/10) / A8 (4H) A/C+ (03/10 >)

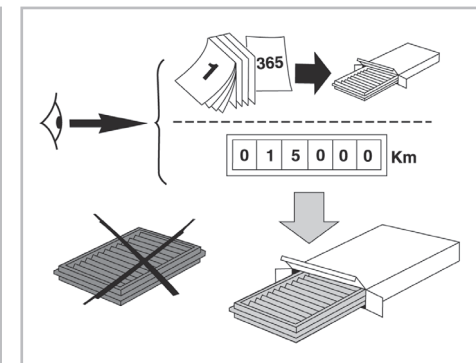
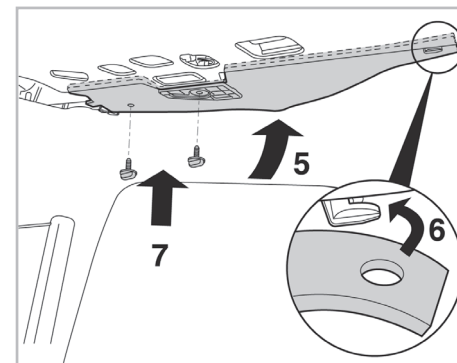
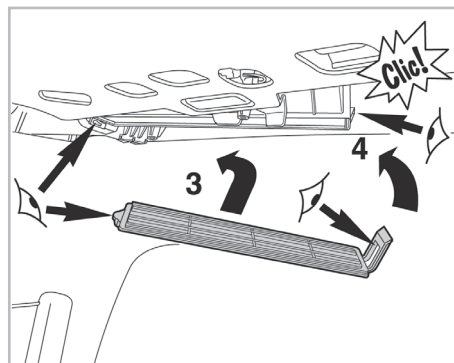
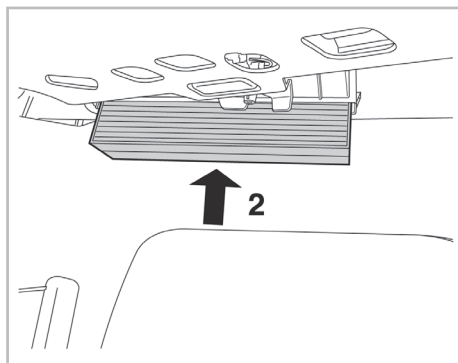
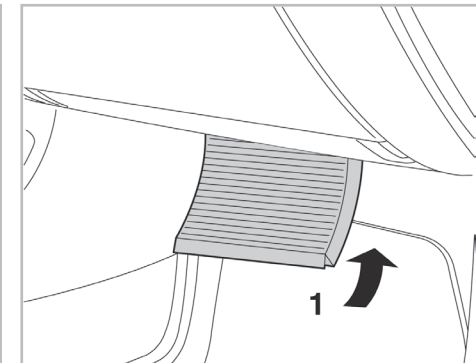
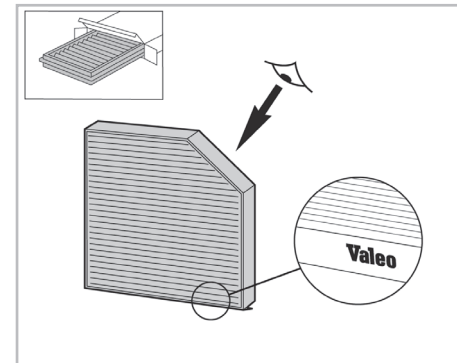
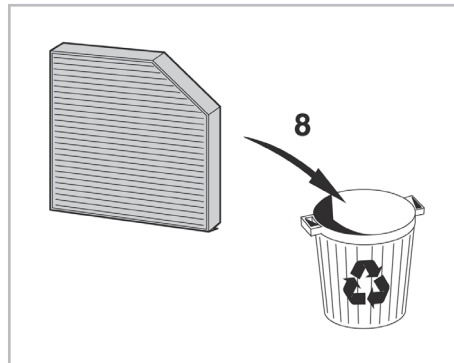
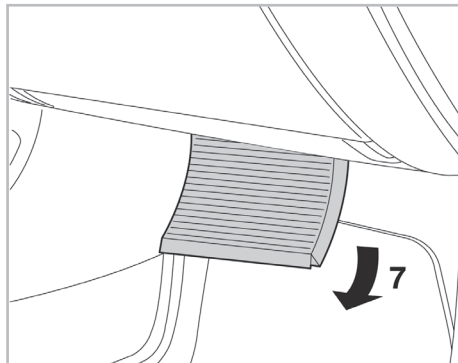
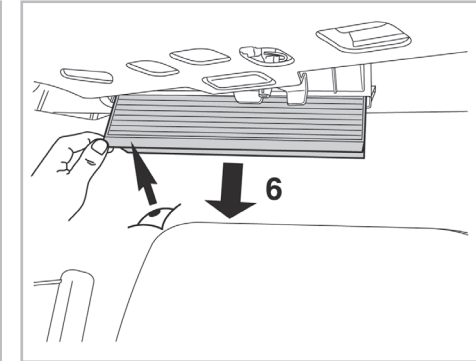
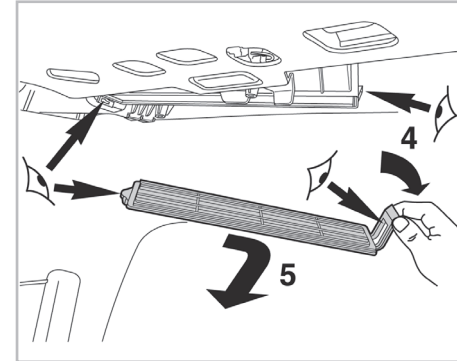
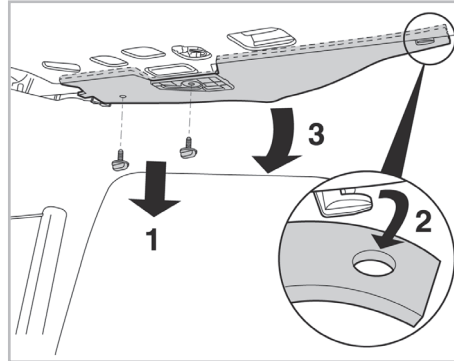
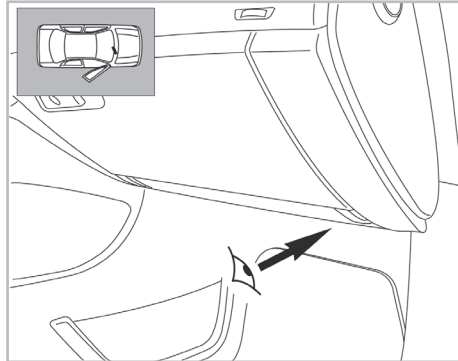


715733

FH376



CA



WANT TO KNOW MORE?



www.valeo-techassist.com

Valeo Service - Société par Actions Simplifiée - Capital de 12 900 000 € - 70, rue Pleyel, 93285 Saint-Denis Cedex - France - B 306 486 408 RCS Bobigny