

73

# TECHNICAL REPORT

Design changes in cylinder  
head gasket of 1.3 Multijet Fiat  
engines



## PURPOSE

Inform about the **design changes** produced in cylinder head gasket 10165300, which is replaced by reference 10179100

## DESCRIPTION

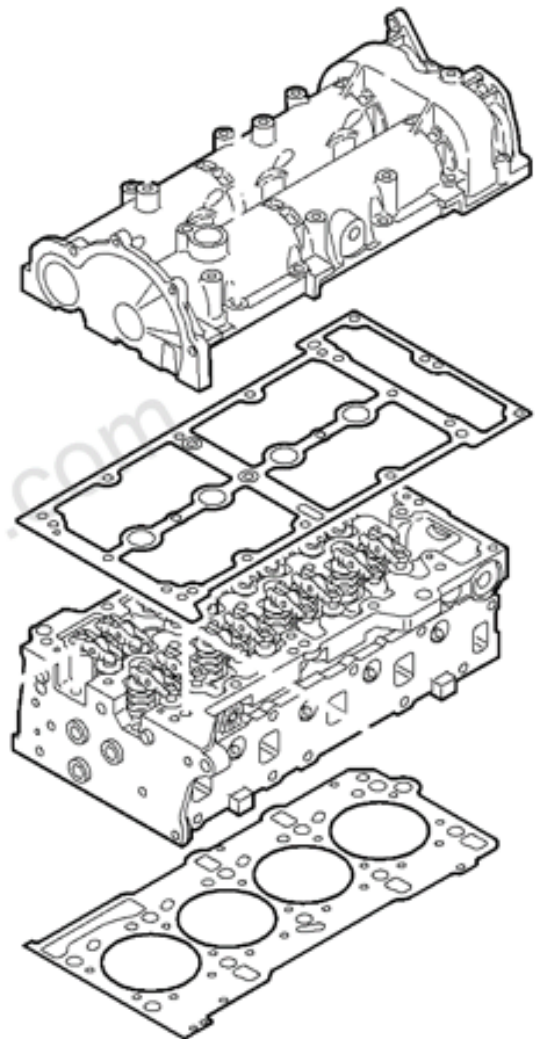
The cylinder head gasket mentioned above, is mounted on the popular 1.3 Multijet Engine, manufactured by Fiat Chrysler Automobiles company and which it's used by many brands such as Alfa Romeo, Fiat, Chevrolet, Citroen, Ford, Lancia, Opel, Peugeot, Suzuki, Tata, etc.

As the engine made changes since it began to produce in 2003, the design of the cylinder head gasket has also changed.

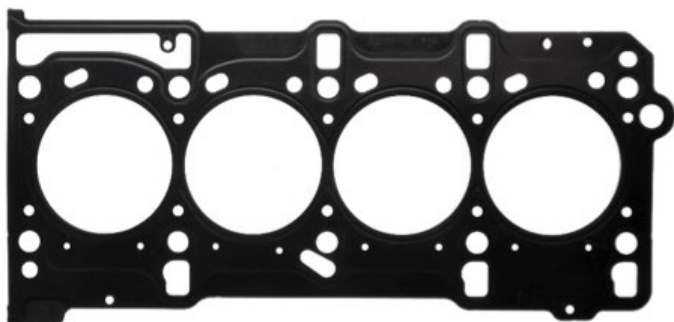
One of the most important changes in the cylinder head gasket is **the suppression of one of its steps**. This step has no continuity in the cylinder head or in the engine block, so the suppression in the gasket doesn't affect the sealing of the area.

**Ajusa**, in its constant catalog study, detected this modification and **adapted it to the new design**, substituting the reference until that moment, 10165300, for the current one, 10179100.

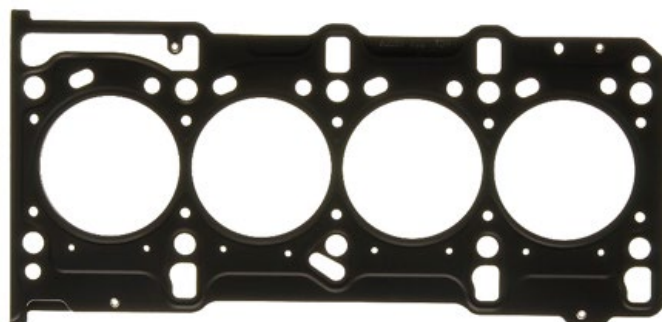
In the following picture its observed the external step of the cylinder head gasket that assembles OEM:



If during the replacement process of the head gasket we observe that the removed gasket corresponds to the old design, it will be necessary to replace it with the new design, 10179100.



**10165300**  
OLD DESIGN



**10179100**  
NEW DESIGN