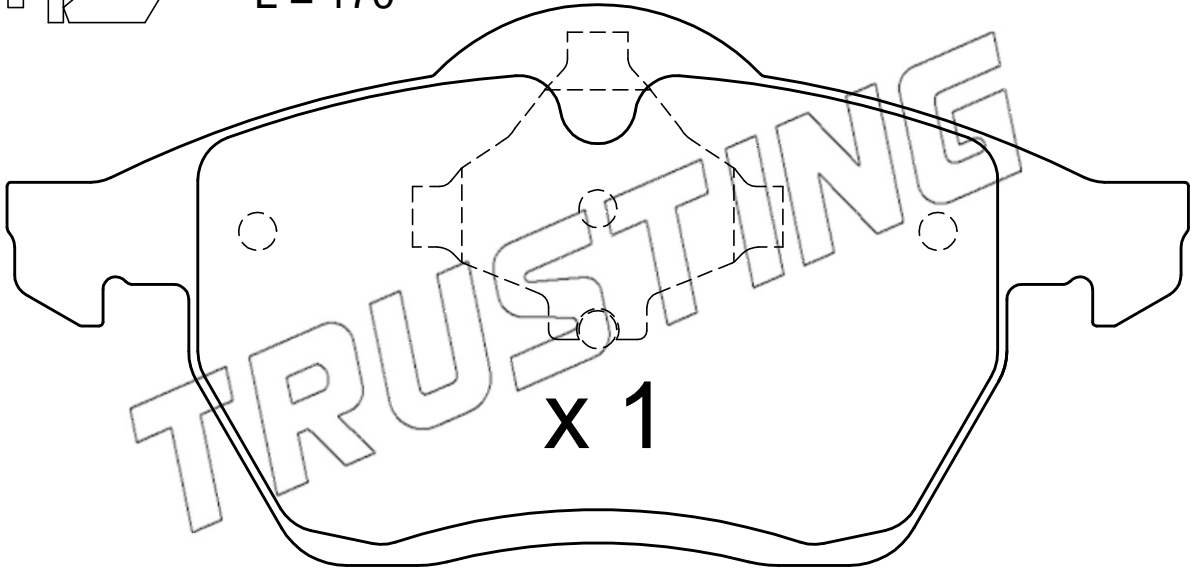
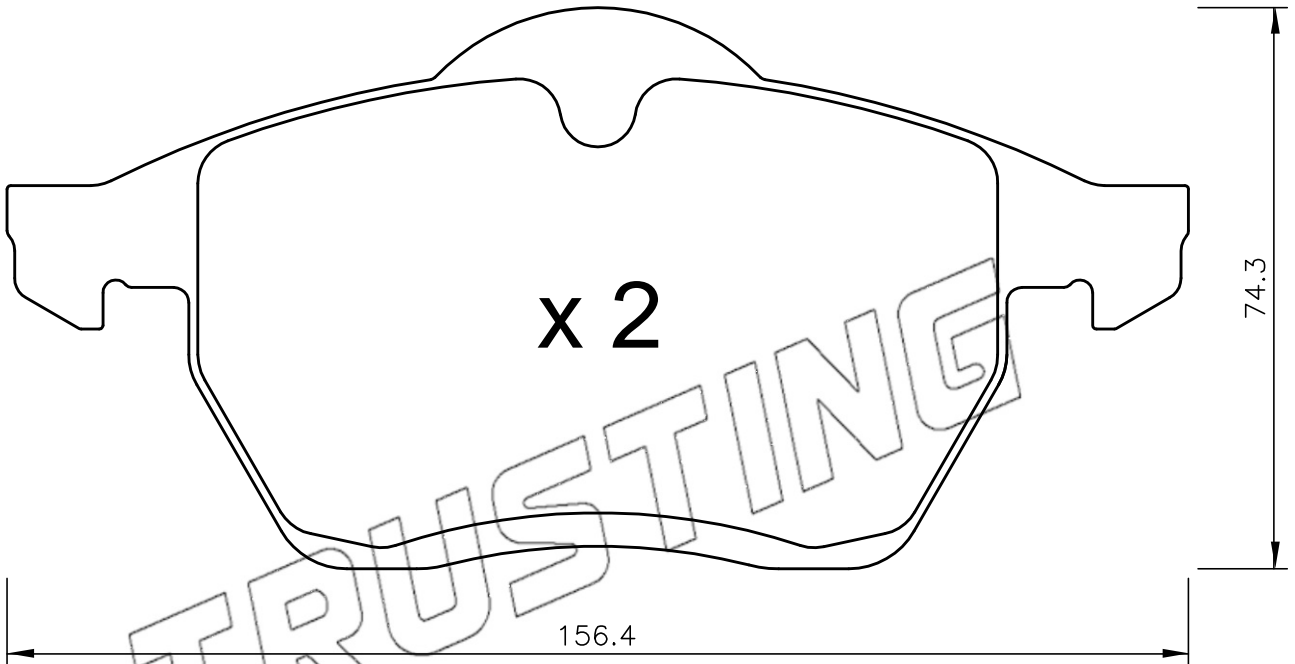


x 1

$L = 170$



x 1



x 2

156.4

74.3