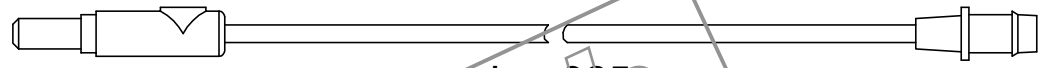
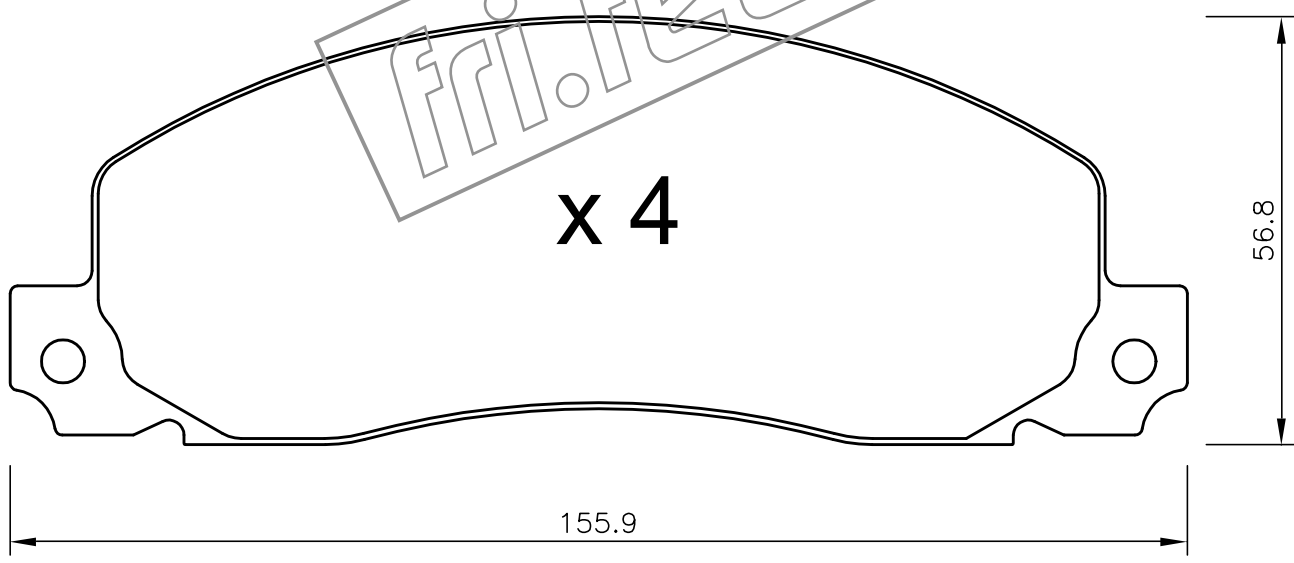


x 2



L = 325



x 4

155.9

56.8



18.5

fri.tech.