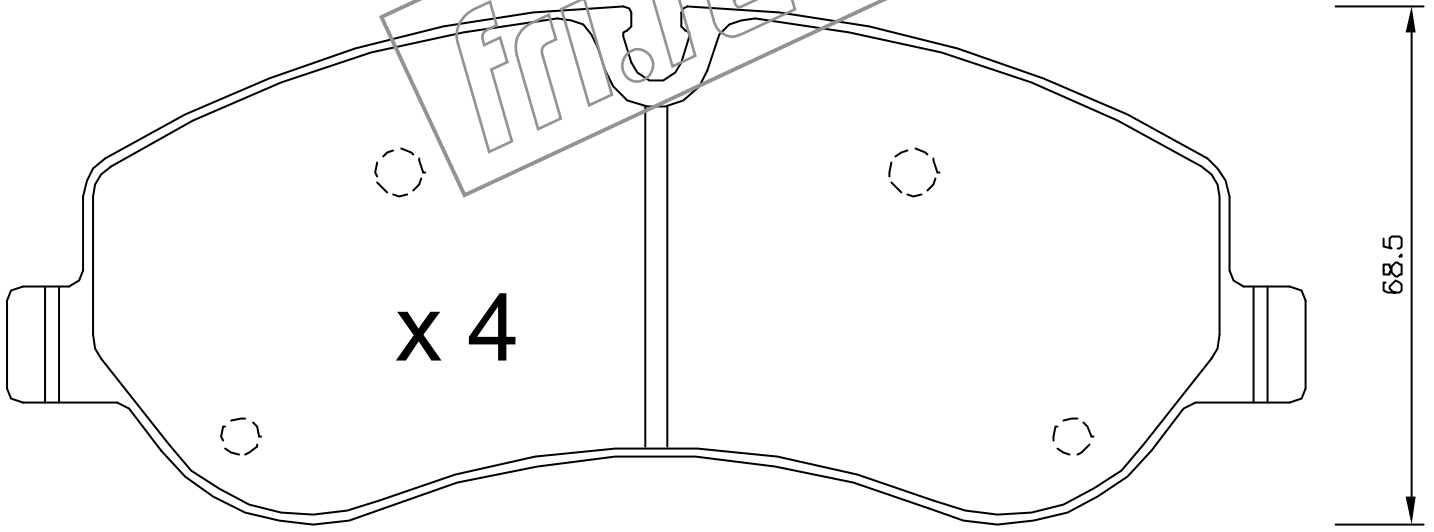


x 2

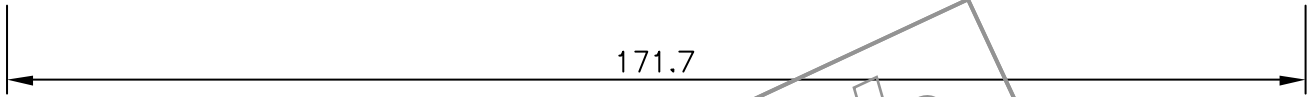
L = 315



x 4



171.7



17



fri.tech.