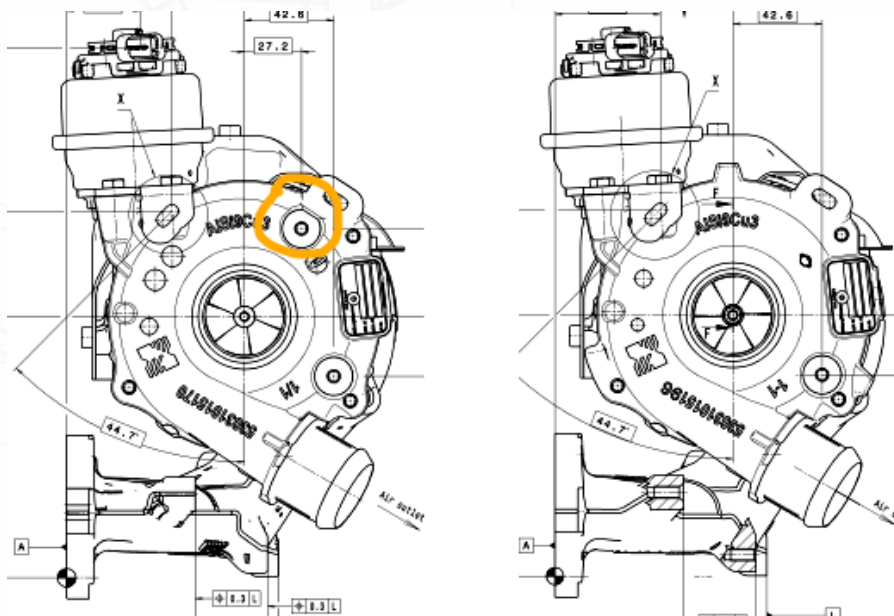


# Technical Information

## Differences between Ford and PSA Turbochargers



source:  
BorgWarner

The turbocharger MOT337494 (53039880394), shown left, is compatible for Ford vehicles.

The turbocharger MOT337024 (53039880634), shown right, is only compatible for PSA-Group, Opel and Toyota, but not with Ford vehicles. The air inlet duct that is attached to the compressor inlet in Ford vehicles requires both fixing points, the one in PSA vehicles requires only one.