

PRODUCT
GROUPS

24

43

54

SKV

Hoses (turbocharger, radiator, intake)

Aftermarket price, OE quality



Find at → www.skv.pl → Car selection → **All parts**

ESEN company, the owner of the SKV brand.



Hoses (turbocharger, radiator, intake)

Product benefits

The SKV brand offer includes as many as 9 various types of hoses.

These are **the turbocharger, radiator, air intake**, oil, crankcase ventilation, power-steering, heater, air-conditioning and fuel return hoses. The total number of SKV parts in such product group reaches **over 3 000 references**. We will focus on the first three types.

Turbocharger hoses



24SKV002
A turbocharger hose
| VAG

Also known as turbine hoses, **are crucial components in powering the turbocharger** in your engine. They are responsible for transporting air in the "turbo system", which is necessary for optimal engine operation.

Radiator (coolant) hoses



24SKV310
A radiator hose
| OPEL

connect various components of the engine cooling system, allowing coolant to flow between the radiator, thermostat and other parts of the said system. Thanks to their design, they absorb vibrations and engine movements, ensuring the stability and efficiency of the whole cooling system.

Air intake hoses



24SKV476
An air intake hose
| AUDI

are elements of the engine intake system responsible for supplying air to the drive unit in internal combustion-powered vehicles.

The features of our hoses:



Materials
of highest quality



Warranty
3 YEARS



Perfect Fit
equals hassle-free
installation



TecDoc ID
4969



ASTM
certified



ISO
certified



IEC
certified



Find at → www.skv.pl → Car selection → **All parts**

ESEN company, the owner of the SKV brand.



Hoses (turbocharger, radiator, intake)

Materials

The materials used to manufacture the SKV brand hoses are of high quality, ensuring reliability and durability, **confirmed by a 3-year warranty**. They consist of materials resistant to strenuous operating conditions, guaranteeing effective operation and longevity in various conditions.

The EPDM rubber

is a flexible polymer material characterized by reversible deformation. It retains its properties in the temperature range from -40° C to 110° C and is exceptionally resistant to oils, silicone-based greases, hydraulic fluids, ageing and UV radiation.

The PA 6 Polyamide

is a reliable material with excellent parameters and superb anti-friction properties. Thanks to its strength, rigidity and lightness, tarmamid, among others, is used for making pressure hoses. It dampens vibrations and is mechanically durable.

Silicone

is an elastomer with unique properties, such as wide temperature resistance (ranging from -60° C to +220° C or up to +315° C) and excellent thermal and atmospheric ageing resistance. Its hydrophobicity and anti-adhesive surface make it an ideal material for the SKV brand hoses. Additionally, it comes in various colours.

TPEE

is a thermoplastic polyester elastomer characterized by high mechanical strength, physical damage, oil & chemical resistance, and allows a wide range of operating temperatures (-70° C to 200° C). Its flexibility and resistance to ageing make it a frequently used material in the automotive industry.

Aramid fibres,

such as Kevlar or Twaron, are used as braiding in engine hoses to increase their high-pressure resistance during engine operation. It is worth noting that twice as much energy is required to break in comparison to carbon fibres, and four times as much energy in comparison to steel of a similar cross-section.

The SS304 stainless steel

is an alloy whose main component is chromium, providing corrosion resistance. Mechanical strength and high-temperature resistance make it an excellent material for manufacturing rigid hoses, clamps, connectors and braids.

Aluminium

is a light and durable metal with superb corrosion resistance. It is ideal for making coolant/water hoses, fittings and the SKV hose connectors.



Find at → www.skv.pl → Car selection → **All parts**

ESEN company, the owner of the SKV brand.



Turbocharger hoses

In-depth description

The turbocharger pressure in standard engines oscillates between 0.4 and 1.1 bar, while in sports/performance cars it can reach up to 2.5 bar. Highly pressurised, charged air might cause damage to engine components therefore **the SKV turbo hoses are subjected to rigorous durability tests**, including tensile testing, breaking strength, bending and operation in various temperature ranges, ageing resistance and bursting pressure.

OVER **1800** MODELS of turbocharger hoses



The SKV brand offers a diverse range of turbocharger hoses adapted for passenger cars and commercial vehicles.

Our turbocharger hoses, according to technical specifications, can be equipped with additional accessories, just as their original counterparts, for example:

24SKV009

A hose outfitted with a handle and quick-connecting, sealed fittings



24SKV012

A hose equipped with a sealed connector



24SKV084

A hose without connectors or clamps



24SKV148

A steel-coiled (braided) hose with a plastic spring connector and a clamp



24SKV149

A hose equipped with a stainless steel clamp



3

a 3-layer hose

An EPDM rubber turbocharger hose consists of three layers:
outer - made of EPDM rubber, resistant to extreme operating conditions
middle - made of aramid (Kevlar) fibres, increasing mechanical strength
inner - made of EPDM rubber for flexibility and tightness.



EPDM
KEVLAR



SILIKON
POLIESTER



≥ 5 mm



-40 °C / 220 °C



8

an 8-layered hose

A silicone rubber turbocharger hose consists of eight layers, where layers of silicone are alternated with a polyester mat, providing exceptional strength and flexibility, crucial in cars with turbocharged engines.



Max 4,5 bar



LAB TESTED



Find at → www.skv.pl → Car selection → All parts → Air Supply → Charge Air Hose

ESEN company, the owner of the SKV brand.



Radiator (cooler) hoses

In-depth description

Radiator (cooling) hoses are an integral part of the coolant system in all vehicles powered by an internal combustion engine. Their main task is to efficiently move the coolant in the cooling system, allowing the engine to maintain optimal operating temperature, usually between 90 and 100° Celsius. Since a running engine generates heat and pressure, it is worth paying attention to the type of material hoses are made of.

OVER
800
MODELS of radiator
(cooling) hoses

The SKV brand products are characterized by extraordinary durability and careful selection of materials, guaranteeing reliability and high operational efficiency.

Based on their application, our hoses are made with various materials, such as:

24SKV205

A combination of both rigid and flexible materials:

- EPDM rubber • Polyamide PA 6
- Stainless steel



24SKV284

Elastomers:

- EPDM rubber • Polyamide PA 6



43SKV606

A combination of both rigid and flexible materials:

- EPDM rubber • SS304 stainless steel



54SKV187

An aluminum, liquid-transfer hose.



43SKV611

A flexible hose:

- Silicone



-40 °C / 150 °C



Max 10 bar



LAB TESTED



Fitting brackets

Rigid SKV cooling system hoses are equipped with fitting brackets, ensuring hassle-free replacement of an original part.



Air vents

prevent air pockets from forming in the cooling system. Removing air using vents significantly speeds up the installation of the cooling system hoses.



Protective mats

Cooling hoses located close to other engine components are exposed to abrasion and damage. The use of protective mats prevents such damage from occurring.



Find at → www.skv.pl → Car selection → All parts → Cooling System →

Radiator Hose

ESEN company, the owner of the SKV brand.



Air intake (suction) hoses

In-depth description

The air intake system

is responsible for supplying air to the combustion engine. The standard intake system consists of an air filter, **intake (suction) hose** and intake manifold. It is worth noting that some systems may also include additional elements, such as a crankcase ventilation hose with an oil separator. The SKV brand turbocharger hose first supplies air to the air filter, eliminating solid impurities and moisture. Then, **the airflow meter** (the 07SKV product group) directs air to **the throttle body** (the 12SKV product group), **the intake manifold** (the 49SKV product group) or the turbocharger.

OVER
400
MODELS

of air intake
(suction) hoses

The SKV brand air intake (suction) hoses group is divided into two main groups depending on their spot in the systems: those installed **1 in front or 2 behind the air filter.**

43SKV911
An air filter hose



43SKV916
An air filter hose



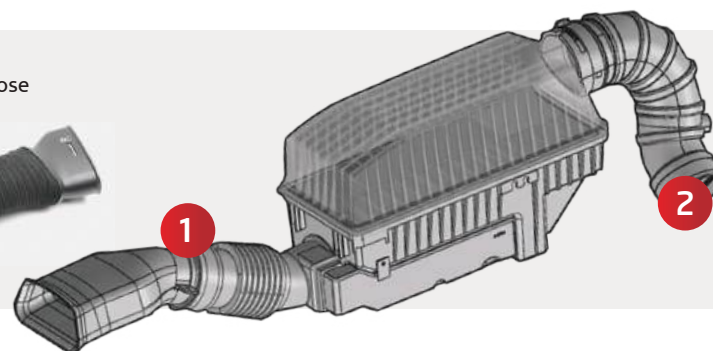
24SKV487
An air intake hose



24SKV469
An air intake hose



24SKV481
An air intake hose



Temperature sensors

The SKV air intake hoses, depending on specification, possess a port for fitting a temperature sensor, or, in some cases, such as the 24SKV419 model, are available complete with a sensor.



Breather hoses

The SKV air intake hoses, such as 24SKV416 models, are outfitted with breather hoses, crucial elements of the crankcase ventilation system.



The connector

is a flange made of the EPDM material, connecting the hose to another element of the intake system. A stainless steel spring works a cotter pin, ensuring a solid and tight connection.



Clamps

The SKV air intake hoses can be installed with high-quality SS304 stainless steel clamps.



Genuine packaging - the SKV brand hoses are packed in foil packaging with a hologram confirming the product's authenticity.



Find at → www.skv.pl → Car selection → All parts → Air Supply → Intake Hose, air filter

ESEN company, the owner of the SKV brand.



SKV brand strengths

About the SKV brand

30k⁺ Over 30,000 references

100⁺ Over 100 product groups



A dynamically growing brand



High stock levels with 96% availability



Quality backed by a minimum 3-year warranty



Over 500 new products monthly



Free marketing support



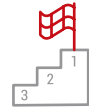
Wide range of products



Timely delivery of goods



Certified TecDoc data supplier



Leader in the domestic market



The success of the SKV brand is primarily due to the quality of its products at affordable prices. Production in the factories is systematically monitored by SKV employees.



Find at → www.skv.pl → Car selection → **All parts**
ESEN company, the owner of the SKV brand.



Become SKV's PARTner!

SKV's diverse range is designed to maximize profitability for its customers.

Ask your distributor for more details.



online catalogue



The SKV products are factory-new parts:

- made to the same rigorous manufacturing standards as OE counterparts;
- manufactured on the same production lines as parts from the world's leading manufacturers;
- subjected to the same quality controls as OE parts

SKV - Aftermarket price, OE quality



Call us
+48 790 664 970



Send us an email
sales@skv.pl



Visit us
Papiezka 69 St.
Wloclawek, Poland



Website
www.skv.pl

www.skv.pl

